

Calle, perennial *elegance.*

design Draw
terzani.com

TERZANI
LA LUCE PENSATA




Name
Calle
3 round multi light pendant

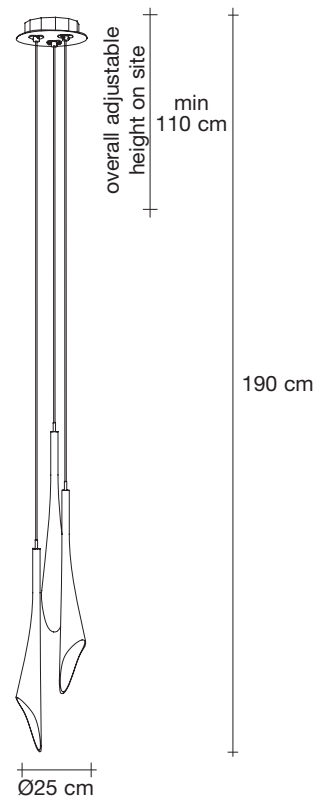
Materials
clear crystal (24% lead)

CE ENEC CB

Finishes | Code

 clear
OT03S E8 A9

Body



Light source options


230-240V ~ 50/60Hz

 HALOGEN
3 x 20W G4 12V

or

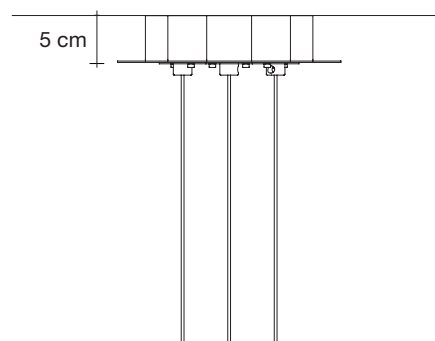
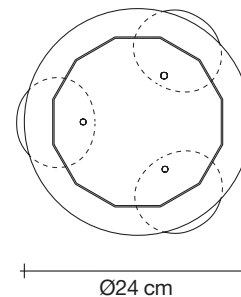
 LED
3 x 2W G4 12V

dimming options

 not dimmable

 IGBT
DALI

Canopy | white



At Terzani, we spend countless days searching the globe for talented new designers, but sometimes they find us. Such is the case with the young designers Luca Martorano and Mattia Albicini (Draw studio) who approached us with the design for Calle, a fantastic new light we instantly fell in love with. It showcases our skill at crafting crystal to take the material to an exciting, modern place. Luca and Mattia worked with our craftsmen to create a slender inverted flute of crystal that, like the calla lily it mimics, can be grouped into stunning bouquets of light. Design Draw. Made in Italy.