

# Calle, perennial *elegance.*

design Draw  
terzani.com

**TERZANI**  
LA LUCE PENSATA




**Name**  
Calle  
5 round multi light pendant

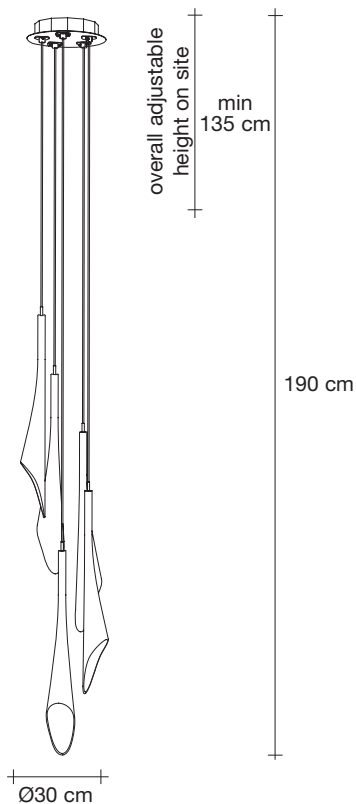
**Materials**  
clear crystal (24% lead)

CE ENEC CB

**Finishes | Code**

 clear  
OT05S E8 A9

**Body**



**Light source options**

230-240V ~ 50/60Hz

 HALOGEN  
5 x 20W G4 12V

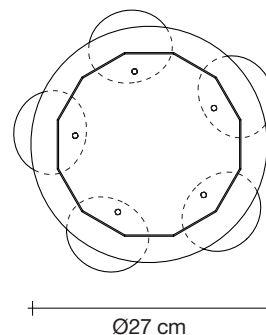
or

 LED  
5 x 2W G4 12V

**dimming options**

 IGBT  
1-10V  
PWM  
DALI

**Canopy | white**



At Terzani, we spend countless days searching the globe for talented new designers, but sometimes they find us. Such is the case with the young designers Luca Martorano and Mattia Albicini (Draw studio) who approached us with the design for Calle, a fantastic new light we instantly fell in love with. It showcases our skill at crafting crystal to take the material to an exciting, modern place. Luca and Mattia worked with our craftsmen to create a slender inverted flute of crystal that, like the calla lily it mimics, can be grouped into stunning bouquets of light. Design Draw. Made in Italy.

