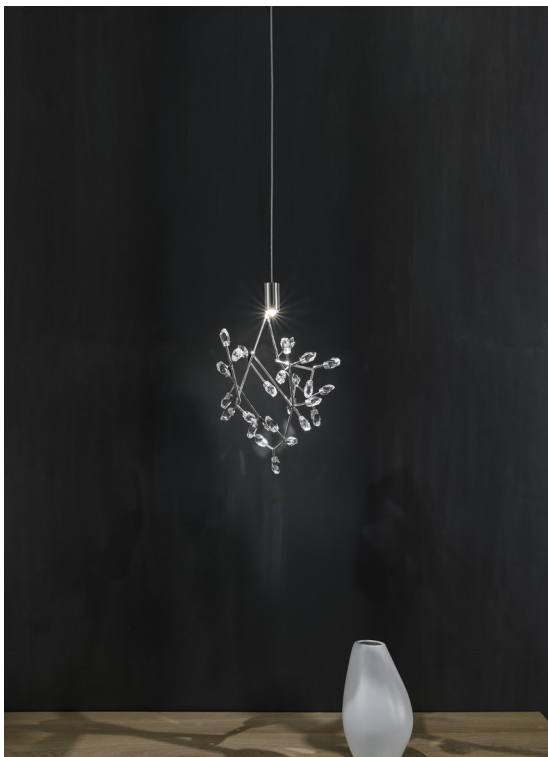


# Core, eruption of light.

design Christian Lava  
terzani.com

**TERZANI**  
LA LUCE PENSATA



## Name

Core  
pendant light

## Materials

brass | clear glass



## Finishes | Code



nickel plated | clear glass  
0P22S E7 A9

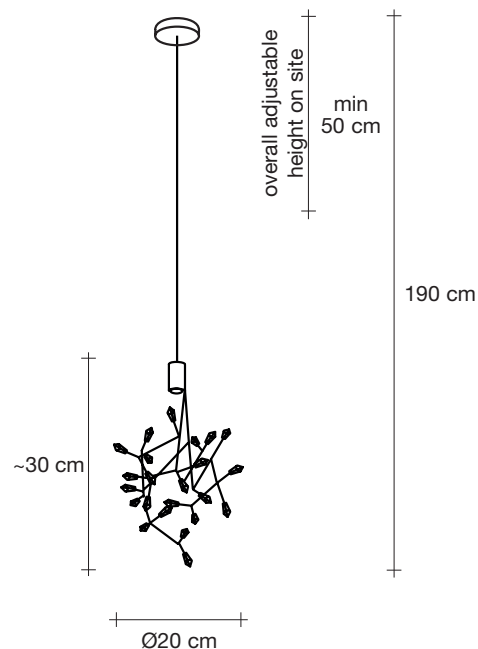


black nickel plated | clear glass  
0P22S E9 A9



gold plated | clear glass  
0P22S L6 A9

## Body



## Light source

220-240V ~ 50/60Hz

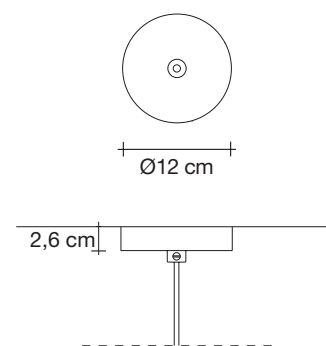


Built in Replaceable LED Module  
2,1W 194 lm 3000K  
or optional 172 lm 2700K



not dimmable

## Canopy



Core, designed by Christian Lava, is reminiscent of the natural energy at the heart of our world. Like bright lava seeping through the earth's crust, vibrant spheres of faceted glass break through the iron surface of this pendant. Forcing light to pass through this metal structure results in a powerful, vibrant exchange of forces light and shadow erupt across the room, as the led light pours through, as the light itself emits an organic radiance. Available in nickel, black nickel and gold plated finishes. Design Christian Lava. Made in Italy.