

Doodle, freehand design.

design Simone Micheli
terzani.com

TERZANI
LA LUCE PENSATA



Name
Doodle
pendant light

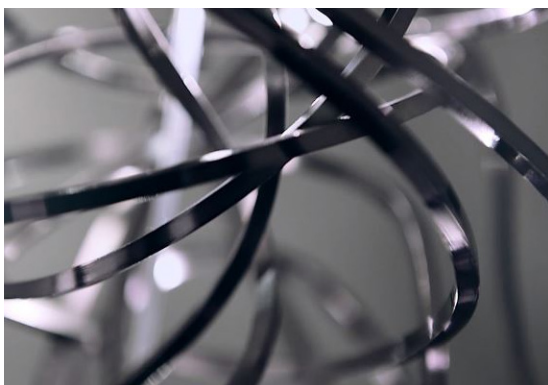
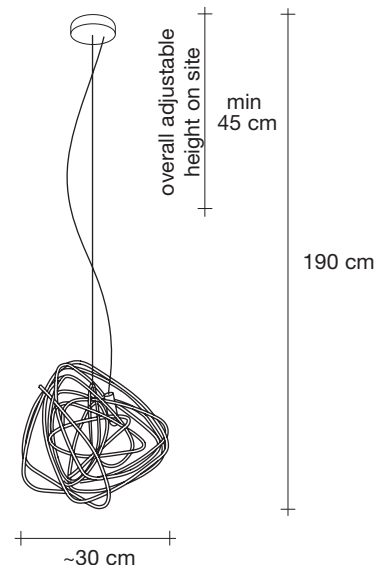
Materials
brass

CE ENEC CB

Finishes | Code

-  nickel plated
OJ80S E7 C8
-  black amethyst
OJ80S M4 C8
-  gold plated
OJ80S L6 C8
-  copper (may age naturally)
OJ80S L5 C8



Body



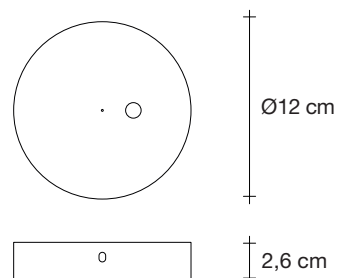
Light source
230-240V ~ 50/60Hz

 LED
2W G4 12V

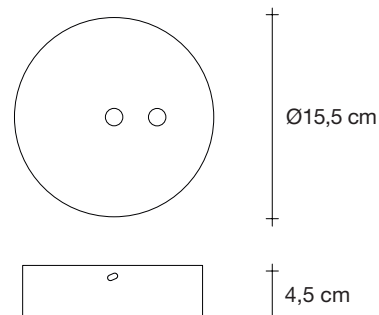
dimming options

-  not dimmable
-  10-100kΩ
0/1-10V
PUSH
DALI

Canopy



Canopy for DALI



We no longer march in a straight line. Our lives are dynamic, intertwining collections of relationships, experiences and journeys. Reflecting the fluidity of our generation, designer Simone Micheli has created a new, contemporary light for Terzani, Doodle. Like us, each Doodle is unique, each pendant is handcrafted by artisans to resemble a randomised path. And, to give us control over the journey we want to take, each led bulb can be placed anywhere on the light, not only reflecting the choices we make in life, but giving Doodle a special flexibility. Available in nickel, black amethyst, gold and copper plated finishes. Design Simone Micheli. Made in Italy.