

Doodle, freehand *design.*

design Simone Micheli
terzani.com



Name
Doodle
vertical chandelier

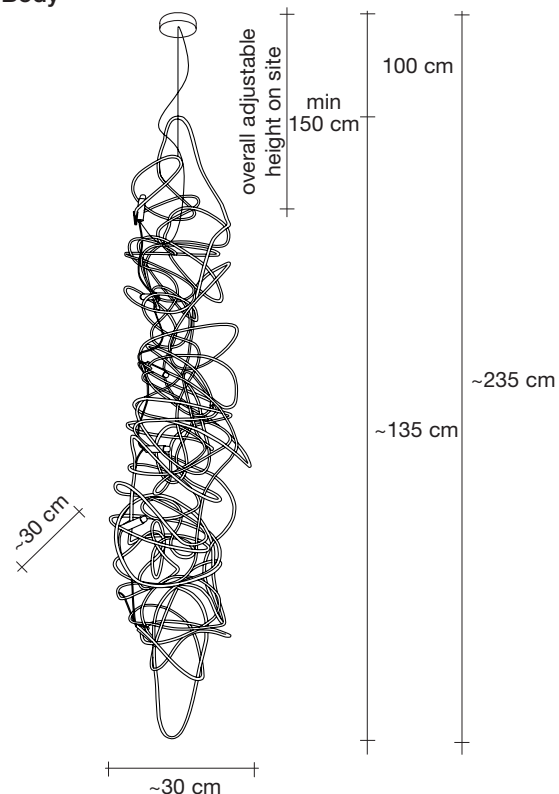
Materials
brass



Finishes | Code

-  nickel plated
OJ87S E7 C8
-  black amethyst
OJ87S M4 C8
-  gold plated
OJ87S L6 C8
-  copper (may age naturally)
OJ87S L5 C8

Body



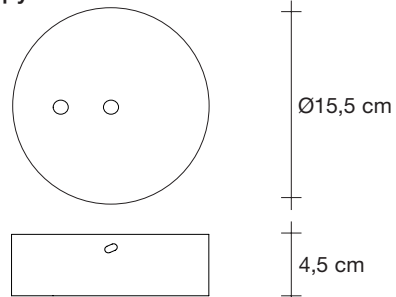
Light source
230-240V ~ 50/60Hz

 LED
6 x 2W G4 12V

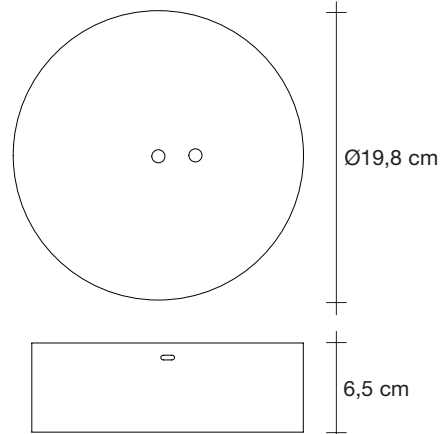
dimnable options

 IGBT
DALI
1-10V
PWM

Canopy



Canopy for DALI | CB version



We no longer march in a straight line. Our lives are dynamic, intertwining collections of relationships, experiences and journeys. Reflecting the fluidity of our generation, designer Simone Micheli has created a new, contemporary light for Terzani, Doodle. Like us, each Doodle is unique, each pendant is handcrafted by artisans to resemble a randomised path. And, to give us control over the journey we want to take, each led bulb can be placed anywhere on the light, not only reflecting the choices we make in life, but giving Doodle a special flexibility. Available in nickel, black amethyst, gold and copper plated finishes. Design Simone Micheli. Made in Italy.