

# Frame, nature's, *imprint.*

design Terzani Lab  
terzani.com

**TERZANI**  
LA LUCE PENSATA



**Name**  
Frame  
cone pendant light

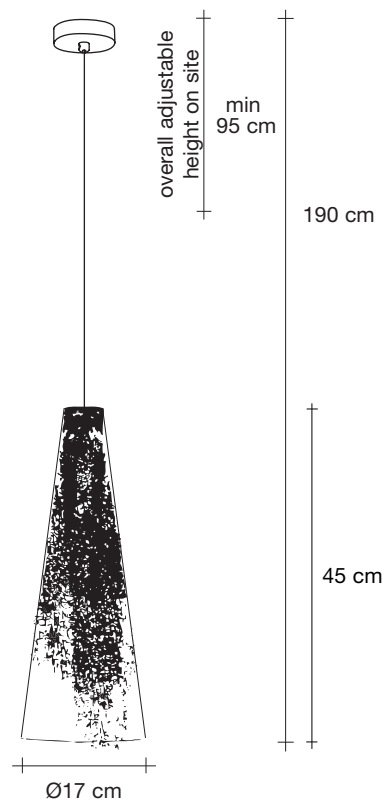
**Materials**  
clear



### Finishes | Code

-  white | clear  
0Q03S E8 A9
-  coral | clear  
0Q03S H1 A9
-  silver plated | clear  
0Q03S G7 A9
-  gold plated | clear  
0Q03S L6 A9

### Body




**Light source**  
230-240V ~ 50/60Hz

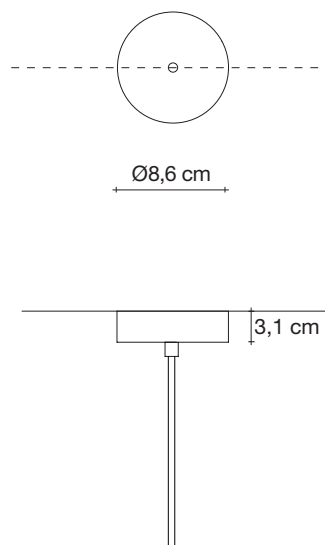


LED  
4W E14

dimnable options

 all systems

### Canopy



Capturing a moment in time, Frame features a metal coral leaf, enclosed inside a borosilicate glass preserving a delicate imprint of nature. Hidden inside is a single bulb which glows from within. Creating a stirring light that projects a dynamic shadow due to the permeable coral. Frame is available in white, red, gold plated or silver plated. Design Terzani Lab. Made in Italy.