

# Manta, shimmering waves.

design Dodo Arslan & Nicolas Terzani  
terzani.com



**Name**  
Manta  
pendant light

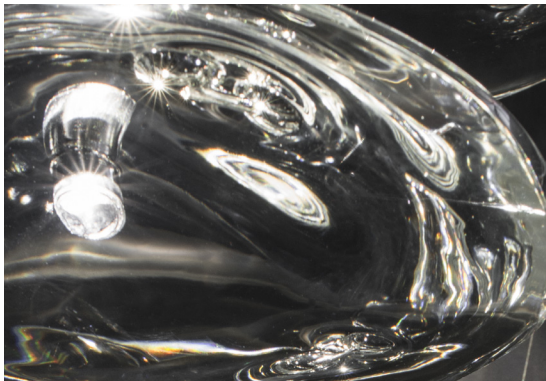
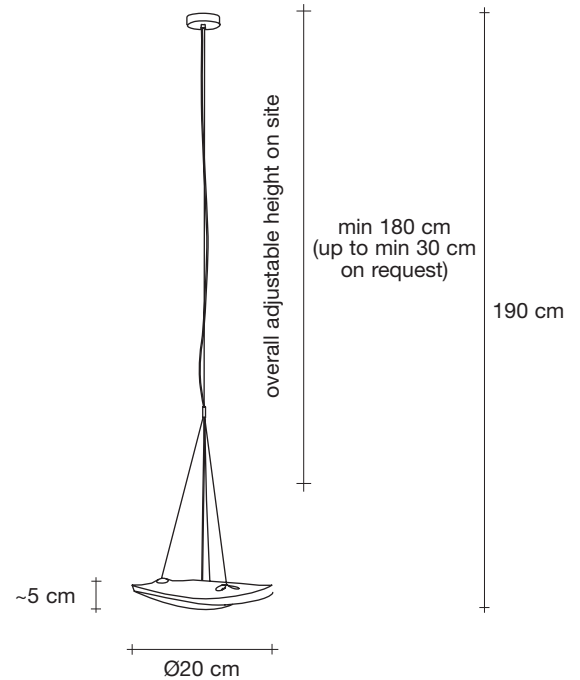
**Materials**  
clear crystal




**Finishes | Code**

 clear  
OK011 E8 A9



## Body



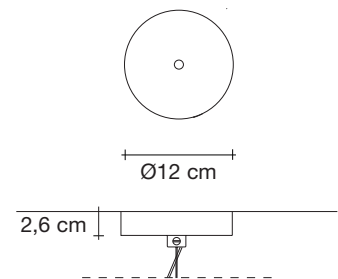
**Light source**  
230-240V ~ 50/60Hz

 Built in Replaceable LED Module  
1,5W 135 lm 3000K  
or optional 115 lm 2700K

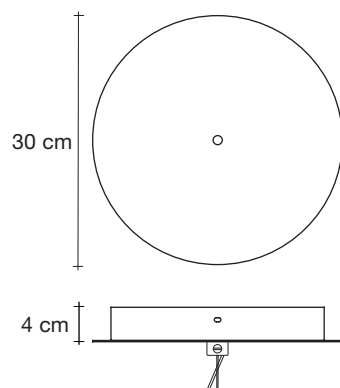
### dimnable options

-  not dimmable
-  PUSH DALI

## Canopy | white



## Canopy for DALI | white



Manta was created featuring sinuous, undulating lines. The results are soft waves of crystal light reminiscent of being underwater. The innovative Manta is made of crystal, with a dimmable integrated led lamp focused on maximizing the crystal's reflection. Manta's organic form is available in two sizes and can be installed in numerous, customizable arrangements. Design Dodo Arslan & Nicolas Terzani. Made in Italy.