

Manta, shimmering waves.

design Dodo Arslan & Nicolas Terzani
terzani.com



Name
Manta
pendant light

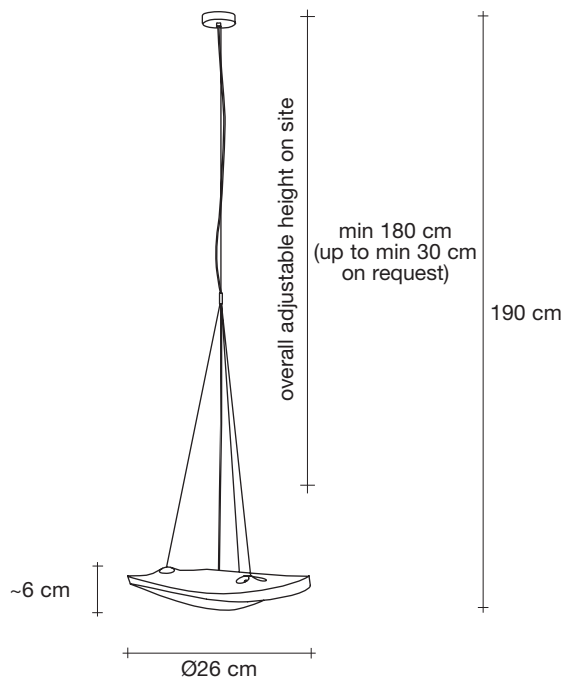
Materials
clear crystal



Finishes | Code

 clear
OK012 E8 A9

Body



Light source

230-240V ~ 50/60Hz

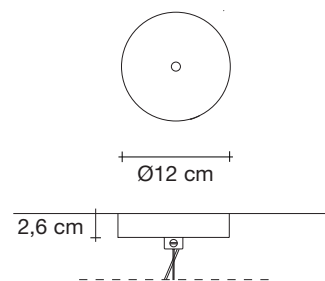
 Built in Replaceable LED Module
1,5W 135 lm 3000K
or optional 115 lm 2700K

dimnable options

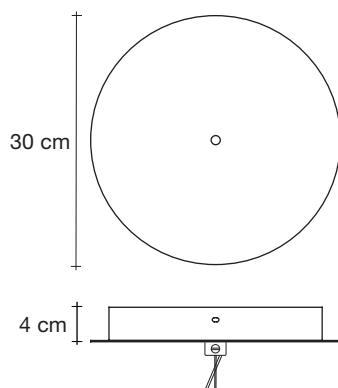
 not dimmable

 PUSH
DALI

Canopy | white



Canopy for DALI | white *



Manta was created featuring sinuous, undulating lines. The results are soft waves of crystal light reminiscent of being underwater. The innovative Manta is made of crystal, with a dimmable integrated led lamp focused on maximizing the crystal's reflection. Manta's organic form is available in two sizes and can be installed in numerous, customizable arrangements. Design Dodo Arslan & Nicolas Terzani. Made in Italy.