

# Mizu, flowing *light*.

design Nicolas Terzani  
terzani.com



**Name**  
Mizu  
pendant light

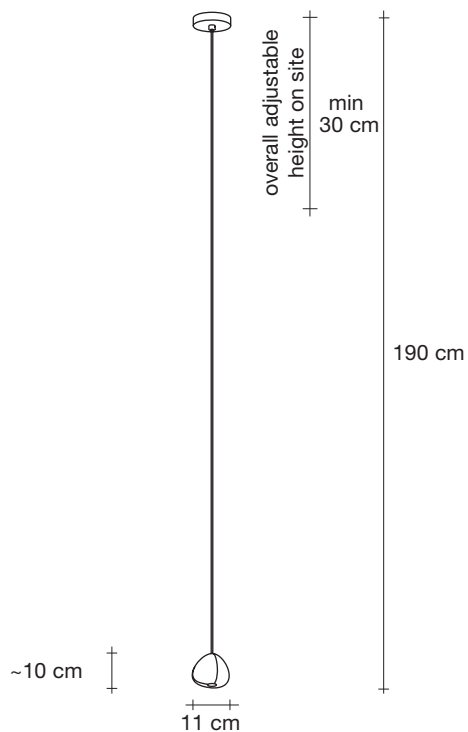
**Materials**  
crystal



**Finishes | Code**

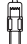


-  clear  
OR01S H4 A9
-  champagne  
OR01S E8 H1
-  cognac  
OR01S E8 H4
-  silver dust  
OR01S H4 F4
-  gold  
OR01S E8 A4

**Body**



**Light source options**

230-240V ~ 50/60Hz

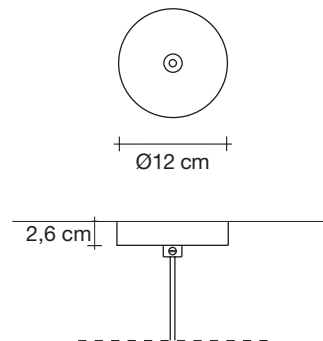
-  HALOGEN  
10W G4 12V
- or
-  LED  
2W G4 12V  
3W G4 12V
- or
-  Built in Replaceable LED Module  
1,5W 146 lm 3000K  
or optional 129 lm 2700K

**dimming options**

-  not dimmable
-  IGBT  
TRIAC  
DALI

Inspired by the tranquil and mesmerizing light refractions created by water, Mizu is a customizable pendant light from Terzani. Like water droplets, no two Mizu are alike, each crystal shape is unique and made meticulously by hand. Using only the clearest crystal, Mizu perfectly emulates water's refraction of light, casting amazing patterns around the room, reminiscent of flowing water. Available in clear, silver dust, gold, cognac and champagne finish. Design Nicolas Terzani. Made in Italy.

**Canopy | white or brushed nickel plated**



**Canopy for DALI | white or brushed nickel plated \***

