

# Moiré, movement *with pattern.*

design Christian Lava  
terzani.com

**TERZANI**  
LA LUCE PENSATA

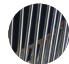



**Name**  
Moiré  
pendant light

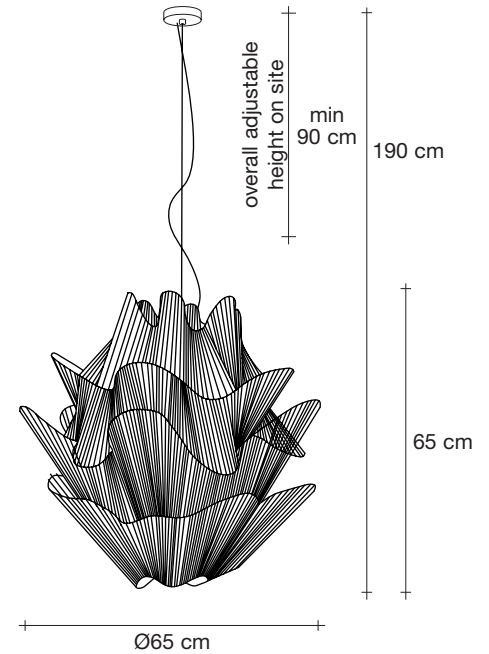
**Materials**  
metal



### Finishes | Code

-  nickel plated  
OM10S E7 C8
-  gold plated  
OM10S L6 C8

### Body



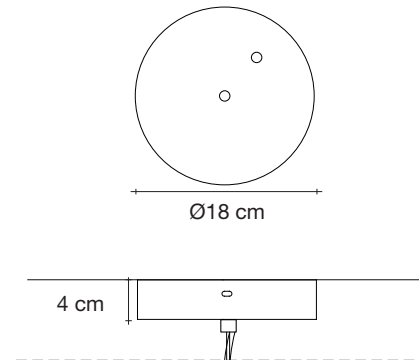
**Light source**  
230-240V ~ 50/60Hz

-  Built in Replaceable LED Module  
15W1952 lm 3000K

### dimnable options

-  1-10V  
PUSH  
DALI

### Canopy



A French term derived from silk with a rippled or “watered” appearance, moiré is an optical effect that results in the illusion of waves or the movement of water. This effect is achieved by having an opaque, ruled pattern overlaid over another. Designer Christian Lava’s studies of this effect have led to his latest design aptly titled, Moiré. Using overlapping grids of metal, this LED pendant light dynamically changes shape following the viewer’s gaze, practically coming to life with a vibrating energy. Moiré is a mesmerizing addition to any room. Available in gold plated and nickel finish. Design Christian Lava. Made in Italy.