

# Pug, multum *in parvo.*

design Jean-François Crochet  
terzani.com

**TERZANI**  
LA LUCE PENSATA





**Name**  
Pug  
pendant light

**Materials**  
brass | glass

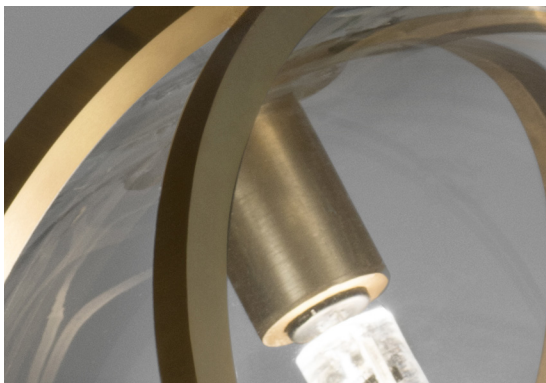
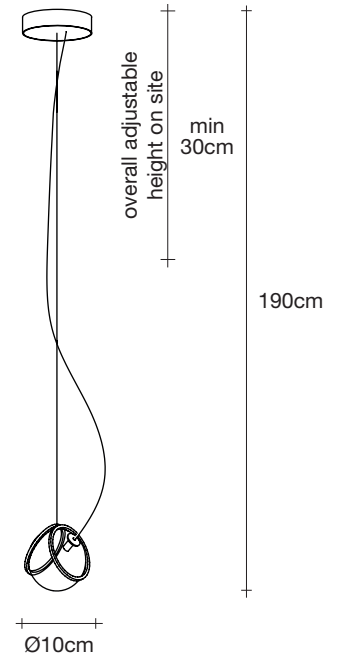
CE ENEC CB

### Finishes | Code

 clear | raw brass  
OU01S P1 A9

 satin white | polished brass  
OU01S N5 A3


### Body



**Light source**  
230-240V ~ 50/60Hz

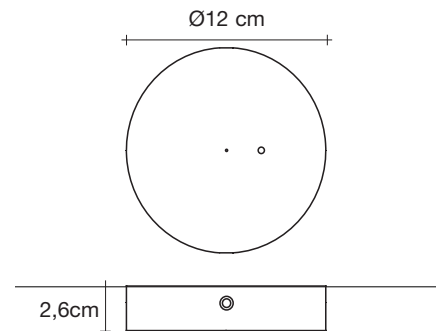
 LED  
1,5W G4 12V  
3W G4 12V

### dimnable options

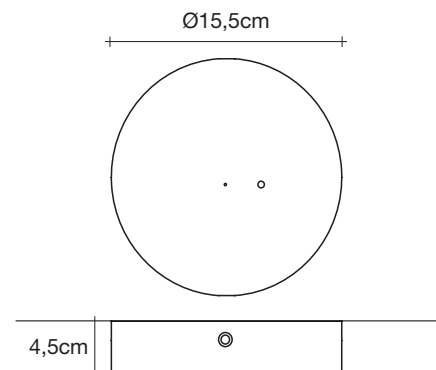
 not dimmable

 DALI

### Canopy



### Canopy for DALI



Pugs are a dog described as “much in little”, referring to the greatness of their personalities despite their diminutive size. Inspired by the Pug’s charm, designer Jean-François Crochet created the Pug pendant light whose protruding spherical lights are reminiscent of a pug’s face. As with the breed, the Pug pendant packs significant charm and beauty into a small package. Illuminated by LED light, these glass pendants are framed by two brass bands. With Pug, it’s easy to bring a new best friend (or pack of friends) into a home.