

Soscik, classic form, *modern look.*

design Nicolas Terzani
terzani.com



Name
Soscik
medium chandelier

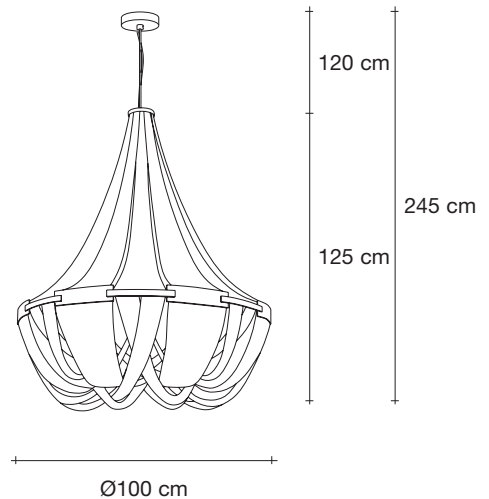
Materials
metal



Finishes | Code

-  nickel plated | brushed nickel plated
OG56S H4 C8
-  brushed bronze
OG56S F7 C8
-  gold plated | brushed gold plated
OG56S L8 C8
-  champagne plated | brushed champagne plated
OG56S N1 C8


Body




Overall height not adjustable on site
optional custom OAH



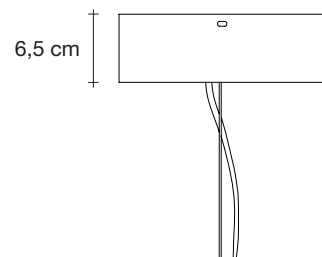
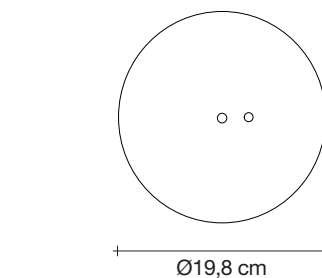
Light source
230-240V ~ 50/60Hz

 LED
12 x 3,5W G9 dimmable

dimnable options

 all systems

Canopy



Terzani continues to reinvent the classics. With Soscik, that combines traditional, artisan techniques with cutting-edge technology to give the traditional chandelier a modern update. Created by interlacing metal chain over a nickel-plated frame, Soscik creates a dramatic and romantic effect, while still being able to compliment today's modern luxury. Available as a chandelier or a ceiling lamp, Soscik proves that modern design does not have to sacrifice luxury. Available in nickel, bronze, gold and champagne plated finishes. Design Nicolas Terzani. Made in Italy.