

# Stream, iridescent *light.*

design Christian Lava  
terzani.com

**TERZANI**  
LA LUCE PENSATA






**Name**  
Stream  
mini chandelier

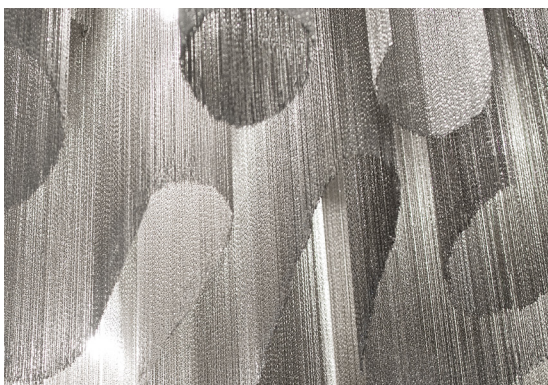
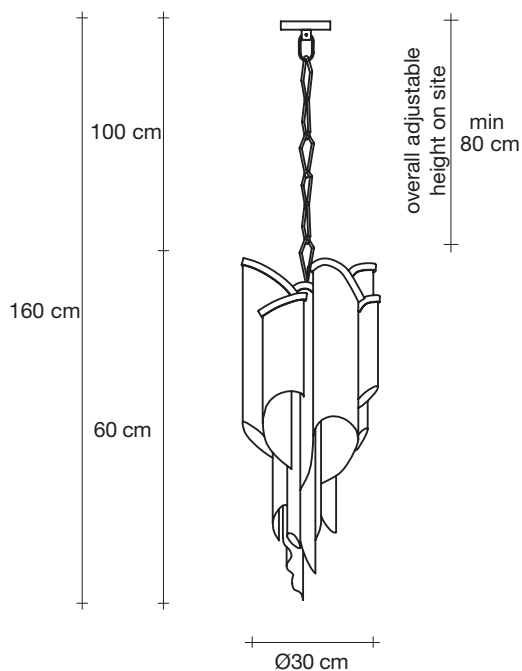
**Materials**  
metal






**Finishes | Code**

-  nickel plated  
OJ54S E7 C8
-  black nickel plated  
OJ54S E9 C8
-  gold plated  
OJ54S L6 C8

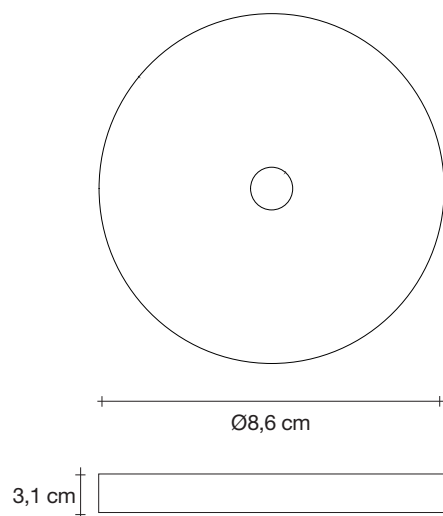
**Body**



**Light source**  
230-240V ~ 50/60Hz

-  LED  
4 x 3,5W G9 dimmable
- +
-  LED  
5W GU10 dimmable
- dimmable options**
-  all systems

**Canopy**



Another stunning design from Christian Lava, Stream is an impressive presence in any room. Like Christian's other work for Terzani, Etoile and Moiré, Stream's design exploits the physical characteristics of the materials used to envelop a room in a unique, immersive light. Here, over seven kilometers of metal chain appear to flow down from the undulating, nickel-plated frame. These cascading tiers project a streaking, yet tranquil, shadow throughout the room. Available in nickel, black nickel and gold. Design Christian Lava. Made in Italy.