

Argent, a precious, *cloud.*

design Dodo Arslan
terzani.com

TERZANI
LA LUCE PENSATA



Name
Argent
pendant light

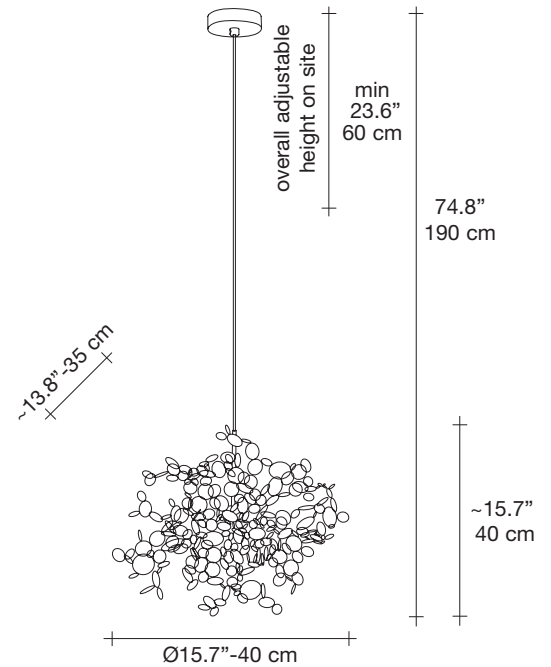
Materials
stainless steel



Finishes | Code

-  stainless steel
ON90S E7 C8
-  gold plated
ON90S L6 C8
-  rose gold plated
ON90S N4 C8
-  champagne plated
ON90S N1 C8

Body



Light source options

120V ~ 50/60Hz

 XENON-T3
3 x 20W G4 12V

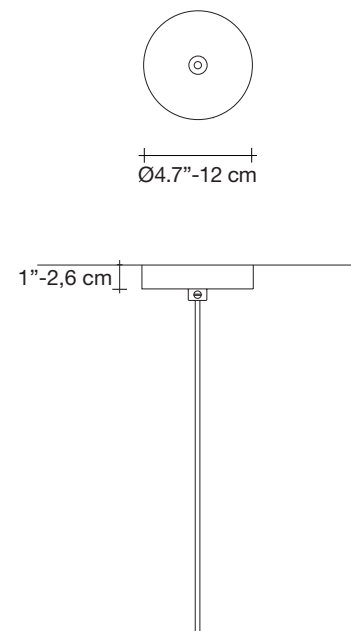
or

 LED
3 x 2W G4 12V

dimmable options

 ELV

Canopy



With this new suspension light, designer Dodo Arslan creates a shimmering, silver cloud. Argent consists of metal discs that have been meticulously joined by hand by Terzani craftsmen into clusters. Once lit, the multiple, angled surfaces of the discs emanate a soft, shimmering glow. Design Dodo Arslan.