

Atlantis, a precious *wave*.

design Barlas Baylar
terzani.com



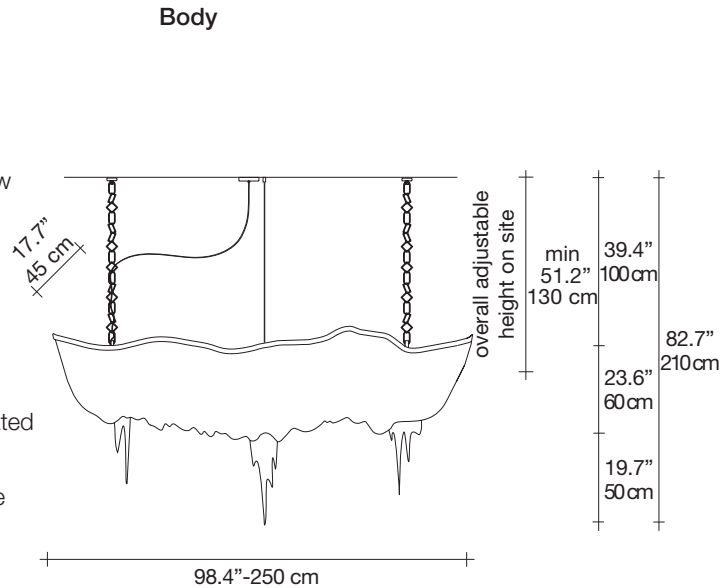
Name
Atlantis
large linear chandelier

Materials
brass chains | metal
structure plated as below




Finishes | Code


-  nickel plated
0A16S E7 C8
-  black nickel plated
0A16S E9 C8
-  brushed bronze
0A16S F7 C8
-  gold plated
0A16S L6 C8
-  champagne plated
0A16S N1 C8
-  brushed champagne plated
0A16S N7 C8

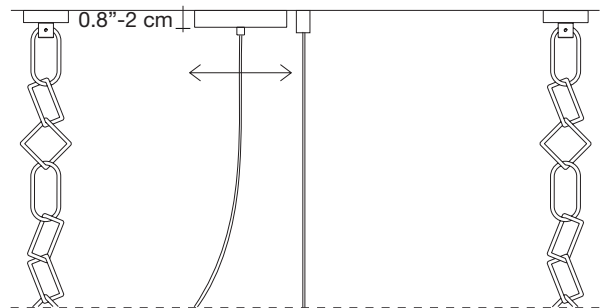
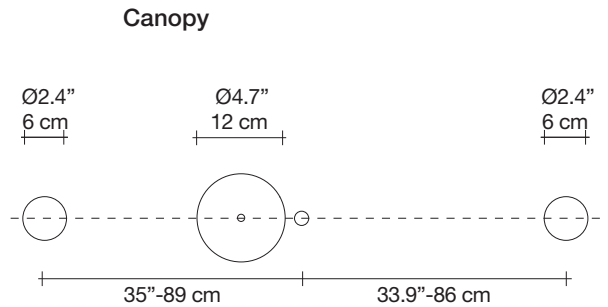


Light source
120V ~ 50/60Hz

 LED
10 x 5.5W E12 dimmable

dimmable options

 all systems



Seemingly alive, atlantis' shimmering light creates a vibrant source of energy. Its mesmerizing, organic effect is created by hundreds of illuminated lengths of draped, nickel chain. Like water in the ocean, atlantis' chains appear liquid, cascading over its gloss nickel bands and falling down towards the abyss before turning back into itself. Atlantis is composed of almost three miles of chain, meticulously hand-crafted by master italian artisans. Design Barlas Baylar.

 146 lbs
66 kg

 322 lbs
146 kg

 108.3" x 29.5" x 45.7"
270 x 70 x 114 cm