

G.r.a, gyrating romantic, *rings of light*.

design Bruno Rainaldi
terzani.com

TERZANI
LA LUCE PENSATA




Name
G.r.a.
large pendant light


Materials
metal



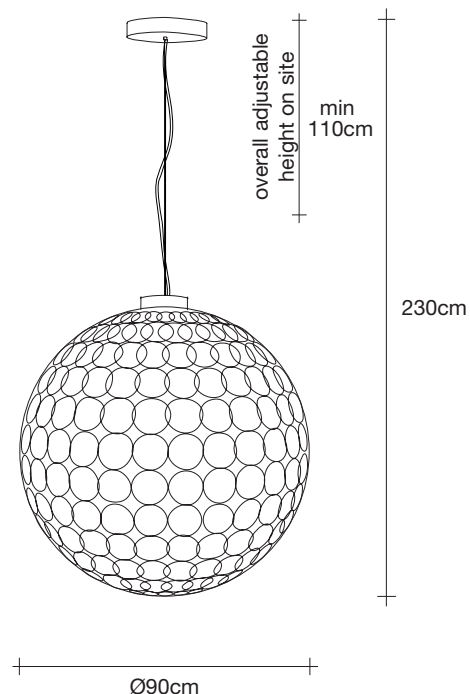
Finishes | Code

 nickel plated
ON40S E7 C8 L

 gold leaf
ON40S H5 C8 L

 gold plated
ON40S P3 C8 L

Body



Light source

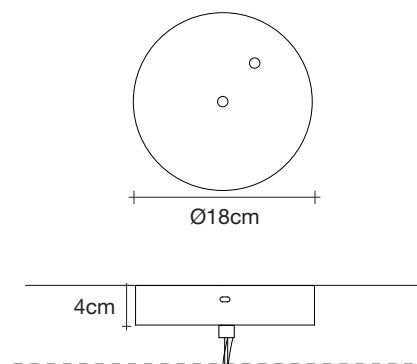
220-240V ~ 50/60Hz

 Built in Replaceable LED Module
18W 1640 lm 3000K
or optional 1570 lm 2700K

dimnable options

 1-10V
PUSH
DALI

Canopy



This clean, precise form is the result of hours of labor by our artisans, who meticulously weld each ring together. G.r.a. is a delicate, refined pendant whose intricate shape belies its romantic glow. Available as an oval or a sphere, and finished in nickel or gold, G.r.a. serves as an elegant, unobtrusive complement to any room. Design Bruno Rainaldi.