

Gaia, earth mother.

design Jean-François Crochet
terzani.com

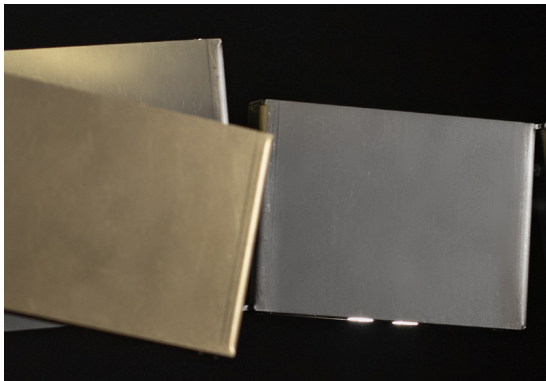
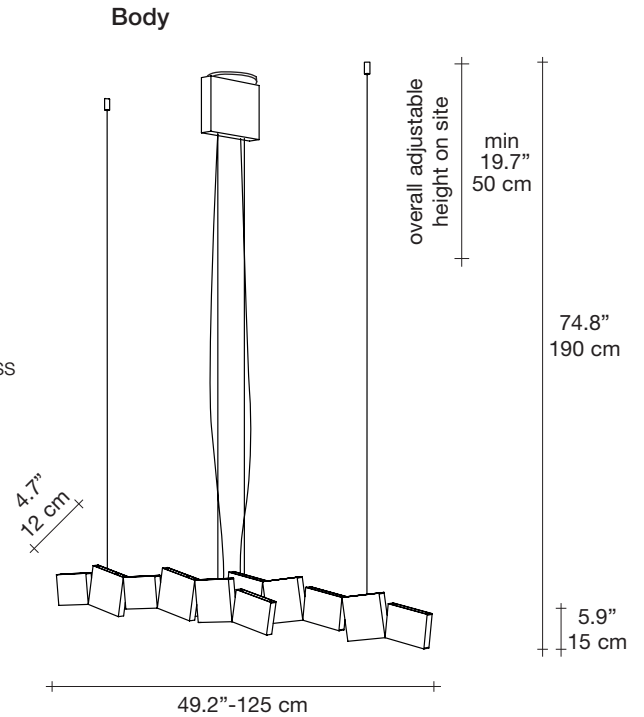


Name
Gaia
double linear chandelier

Materials
raw metal | raw brass

Finishes | Code

-  raw metal | raw brass
OG40S N6 C8
-  nickel plated
OG40S E7 C8
-  gold plated
OG40S L6 C8
-  matt walnut
OG40S P2 C8



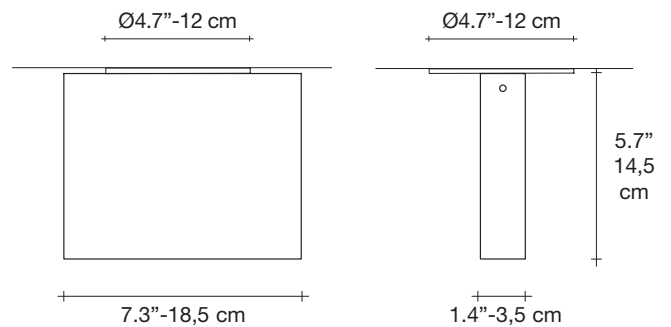
Light source
120V ~ 50/60Hz

-  Built in Replaceable LED Module
24 x 1.5W 3504 lm 3000K
or optional 3096 lm 2700K

dimnable options

-  0/1-10V
PUSH
DALI

Canopy



In Greek mythology, Gaia is the personification of the Earth and the mother of all life. Looking to capture the mythical and natural beauty of this Earth goddess, designer Jean-François Crochet has created the Gaia pendant light. Consisting of geometric frames of brass or raw metal reminiscent of the mountains Gaia created, the pendant uses led light to push light through the “cracks” formed. The resulting light creates a magical feeling, as if the lights peaking through were alive themselves. Also available in gold, nickel and wood finish and in custom configurations, Gaia adds a vibrancy and sacred light to any space. Design Jean-François Crochet. Made in Italy.