

# Gaia, earth mother.

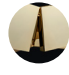
design Jean-François Crochet  
terzani.com



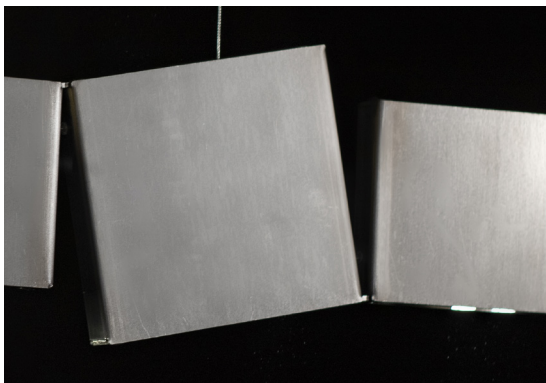
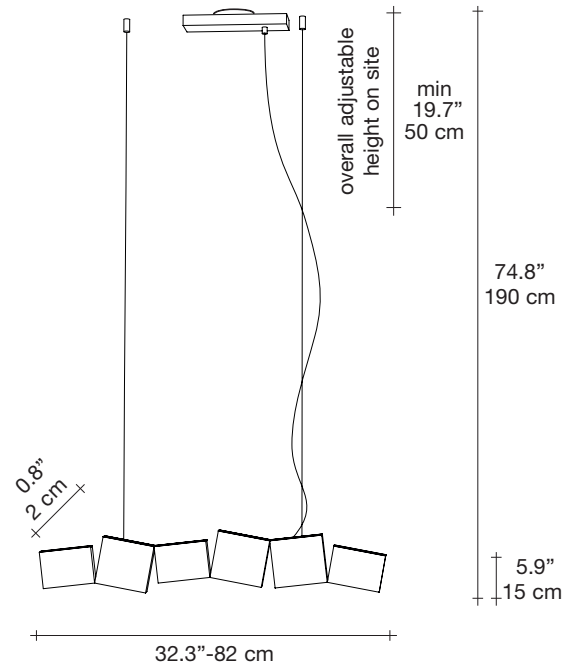
**Name**  
Gaia  
linear chandelier

**Materials**  
raw metal | raw brass


**Finishes | Code**

-  raw metal  
OG41S N8 C8
-  raw brass  
OG41S P1 C8
-  nickel plated  
OG41S E7 C8
-  gold plated  
OG41S L6 C8
-  matt walnut  
OG41S P2 C8

**Body**



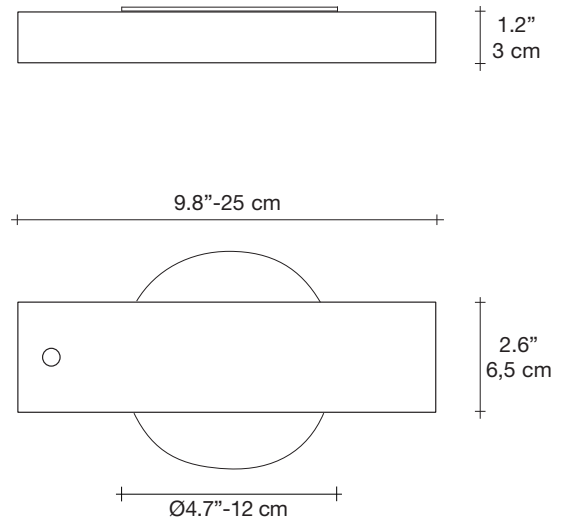
**Light source**  
120V ~ 50/60Hz

-  Built in Replaceable LED Module  
12 x 1.5W 1752 lm 3000K  
or optional 1548 lm 2700K

**dimnable options**

-  1-10V  
PUSH

**Canopy**



In Greek mythology, Gaia is the personification of the Earth and the mother of all life. Looking to capture the mythical and natural beauty of this Earth goddess, designer Jean-François Crochet has created the Gaia pendant light. Consisting of geometric frames of brass or raw metal reminiscent of the mountains Gaia created, the pendant uses led light to push light through the "cracks" formed. The resulting light creates a magical feeling, as if the lights peaking through were alive themselves. Also available in gold, nickel and wood finish and in custom configurations, Gaia adds a vibrancy and sacred light to any space. Design Jean-François Crochet. Made in Italy.