


Stanley, journey beyond *the stars*.

design Dodo Arslan
terzani.com

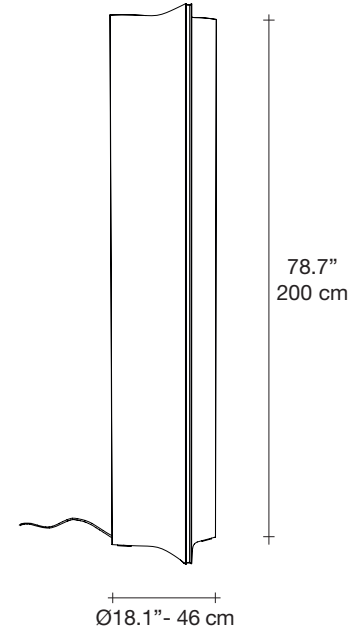


Name
Stanley
floor lamp

Material
stainless steel


Finish | Code
 brushed stainless steel
black cord
OC06P H2 C8

Body

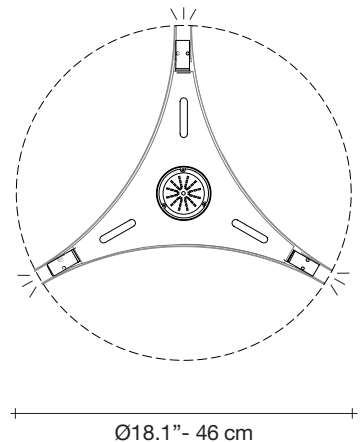


Light source
120V ~ 50/60Hz

 Top:
Integrated replaceable LED | 21W | 2875lm
+
Edges:
Integrated replaceable LED | 3x39W | 12875lm
Total 138W | 15750lm | 3000K | CRI>90

 Casambi technology | Xpress
wireless switch
Each light source can be dimmed
independently or in programmable
groups.
Light sources are replaceable

Top view



Capturing the mystery, power, and wonder of the stars, this new floor lamp from Dodo Arslan conjures the natural beauty of space and mankind's fascination with the heavens. Blades of crystalline light travel through a field of stars, creating a deep, rich, and nuanced viewing experience. Stanley's multiple perspectives create a cosmic vision with infinite depth.

An homage to the genius of Stanley Kubrick and his masterpiece, 2001: A Space Odyssey, Arslan's design aims to open doors to new galaxies. Through recreating the mysteries of our universe, Stanley captures the sense of awe that continues to compel artists, scientists, and dreamers to look to the sky for answers and inspiration. Staying in accordance with the vibrancy of space, Stanley offers a series of chromatic variations which can be customized creating a unique, tonal experience. Design Dodo Arslan. Made in Italy.

v2

 110.2 lbs
50 kg

 146 lbs
66 kg

 83.5" x 25.2" x 24.4"
212 x 64 x 62 cm